



ARP-3816AP

Panel Mount Panel PC with 15.6 inch PCAP Touch Screen



Features

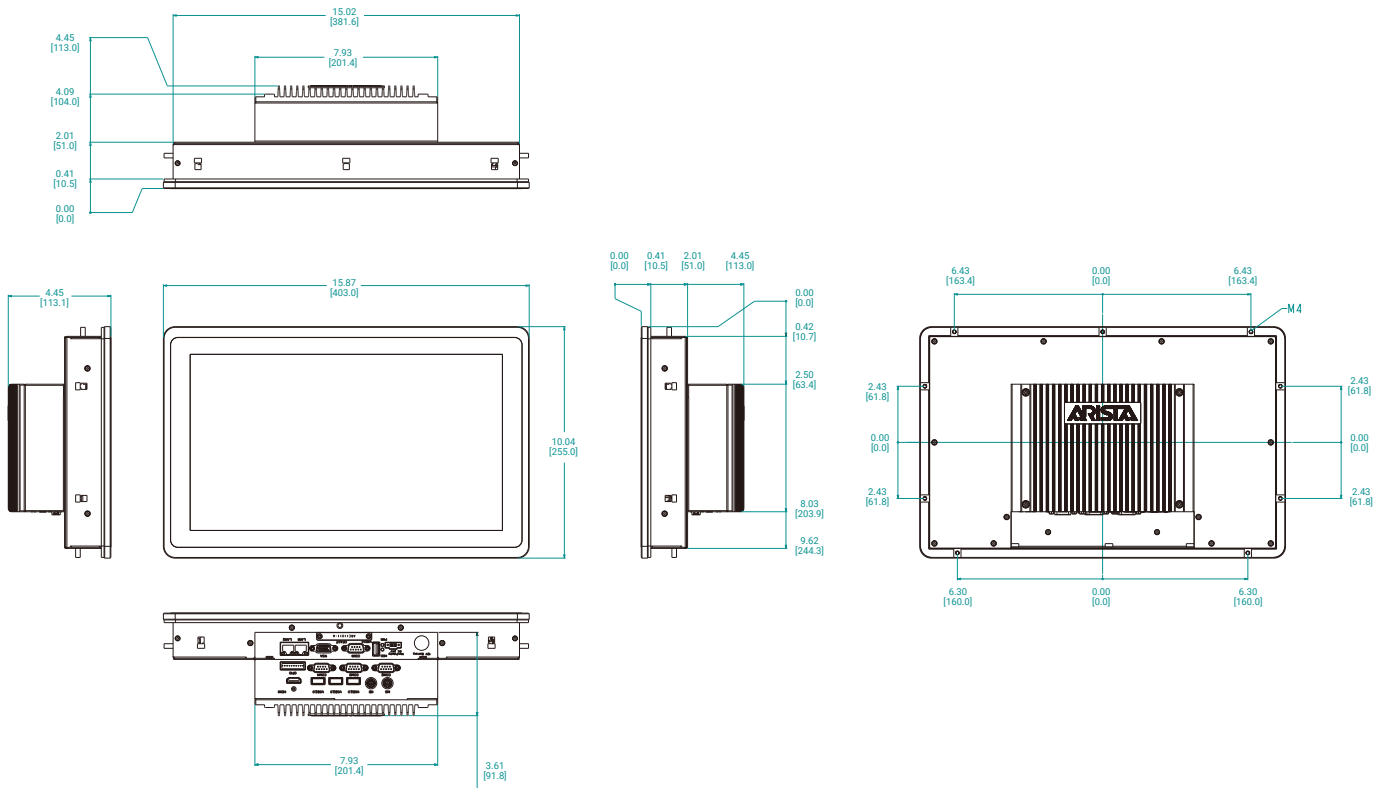
- 15.6" LCD, 1920 x 1080 Resolution
- Projected Capacitive Touch Screen
- Aluminum or Stainless-Steel 316L Flush Bezel
- Intel Celeron J1900 @ 1.99GHz / Atom E3845 @ 1.91GHz CPU; Intel i7-6600U, i5-6300U, Celeron-3855U
- Up to 8GB DDR3/ Up to 16GB DDR4 SO-DIMM
- Optional 2.5" SSD
- Dual Gigabit Ethernet
- 4 x RS-232/422/485 BIOS Selectable
- 1 x 8-bit GPIO (4-bit Input, 4-bit Output)
- 1 x USB 3.0, 3 x USB 2.0 ports

Specifications

Model Name	ARP-3816AP	
	E01	H01
LCD Display		
Display Size	15.6 inch	15.6 inch
Max Resolution	1920 x 1080	1920 x 1080
Backlight Lifetime	50,000 hours	50,000 hours
Visual Characteristics		
Colors	16.7 million	16.7 million
Aspect Ratio	16:9	16:9
Viewing Angle (V/H)	140° / 160°	140° / 160°
Contrast Ratio	700 : 1	700 : 1
Brightness	400 nits (Typical)	400 nits (Typical)
Touchscreen		
Technology	Projected Capacitive	Projected Capacitive
Interface	USB	USB
Driver	Windows 7, 8 & 10	Windows 10
Front Bezel		
NEMA 4	Aluminum	Aluminum
NEMA 4x	Stainless Steel 316L(Optional)	Stainless Steel 316L(Optional)
System		
CPU	Intel Celeron J1900 @ 1.99GHz / Atom E3845 @ 1.91GHz CPU	Intel i7-6600U, i5-6300U, Celeron-3855U
Chipset	Bay Trail	SkyLake
Memory	Up to 8GB DDR3 SO-DIMM	Up to 16GB DDR4 SO-DIMM
Video Controller	Intel Gen7 Intel Graphics DX 11, OGL3.2	Intel HD Graphics 520
External Video Output	VGA	VGA
Storage Option	2.5" SSD	2.5" SSD
CFast Card	Optional	Optional
Keyboard / Mouse	USB / PS2	USB / PS2
Audio	N/A	N/A
Watchdog Timer	Programmable 1 - 255 sec	Programmable 1 - 255 sec
Remote Boot	ThinManager Ready, PXE	PXE
Expansion Slot	Mini PCIe x 2	Mini PCIe x 1
I/O Communication		
USB Port	1 x USB 3.0, 3 x USB 2.0	1 x USB 3.0, 3 x USB 2.0
Serial Port	4 x RS-232/422/485 BIOS Selectable	4 x RS-232/422/485 BIOS Selectable
IEEE 1394	N/A	N/A
LAN	2 x Gigabit	2 x Gigabit
Parallel	N/A	N/A
GPIO	4 x DI, 4 x DO	4 x DI, 4 x DO
Smart Battery		
External Smart Battery	Optional	Optional
OS Support		
OS Support	Windows 7, 8 & 10	Windows 10
Power/Thermal Specs		
Power Requirement (Max)	24VDC / 1.3A	24VDC / 1.7A
Power Consumption (Max)	32 W	40W
Recommended Power Supply	45 W	60W
Heat Dissipation	108 BTU/hr	136 BTU/hr
Physical Information		
Mounting	Panel mount	Panel mount
Net Weight	12 Lbs / 5.44 Kg	12 Lbs / 5.44 Kg
Dimension (W x H x D)	15.9 x 10.0 x 4.4 inch 403 x 255 x 113 mm	15.9 x 10.0 x 4.4 inch 403 x 255 x 113 mm
Recommended Cutout Dimension (WxH)	386.6 x 238.6 mm	386.6 x 238.6 mm
IP/NEMA Rating	Front Panel NEMA 4/4X, IP66	Front Panel NEMA 4/4X, IP66
Certification	UL 61010	UL 61010
Environmental		
Operating Temperature	0~50°C (32~122°F)	0~50°C (32~122°F)
Storage Temperature	-20~60°C (-4~140°F)	-20~60°C (-4~140°F)
Relative Humidity	0~95%	0~95%

Dimension Drawing

ARP-3816AP-E01
 ARP-3816AP-H01
 Size Unit: inch(mm)



Ordering Information

Item	ARP-3816AP-E01-003	ARP-3816AP-E01-007
LCD Display	15.6" LCD / 1920 x 1080	15.6" LCD / 1920 x 1080
Touch Screen	Projected Capacitive	Projected Capacitive
Bezel	Aluminum	Stainless Steel 316L
CPU	Intel Celeron J1900 @ 1.99GHz / Atom E3845 @ 1.91GHz CPU	Intel Celeron J1900 @ 1.99GHz / Atom E3845 @ 1.91GHz CPU
Memory	4GB DDR3	4GB DDR3
Storage	N/A	N/A
Remote Boot	ThinManager Ready	ThinManager Ready
Power Supply	110/220VAC Input DIN-Rail	110/220VAC Input DIN-Rail

Item	ARP-3816AP-E01-031	ARP-3816AP-E01-035
LCD Display	15.6" LCD / 1920 x 1080	15.6" LCD / 1920 x 1080
Touch Screen	Projected Capacitive	Projected Capacitive
Bezel	Aluminum	Stainless Steel 316L
CPU	Intel Celeron J1900 @ 1.99GHz / Atom E3845 @ 1.91GHz CPU	Intel Celeron J1900 @ 1.99GHz / Atom E3845 @ 1.91GHz CPU
Memory	8GB DDR3	8GB DDR3
Storage	2.5" SATA SSD	2.5" SATA SSD
Remote Boot	N/A	N/A
Power Supply	110/220VAC Input DIN-Rail	110/220VAC Input DIN-Rail

Item	ARP-3816AP-H01-031-700	ARP-3816AP-H01-035-700
LCD Display	15.6" LCD / 1920 x 1080	15.6" LCD / 1920 x 1080
Touch Screen	Projected Capacitive	Projected Capacitive
Bezel	Aluminum	Stainless Steel 316L
CPU	i7-6600U	i7-6600U
Memory	16GB DDR4	16GB DDR4
Storage	2.5" SATA SSD	2.5" SATA SSD
Remote Boot	N/A	N/A
Power Supply	110/220VAC Input DIN-Rail	110/220VAC Input DIN-Rail

ARP-3800AP Series stainless Steel front bezel is made of Stainless Steel 316L and corrosion free against Cleaning Agents and Solvents used in Pharmaceutical industry listed below:

- **Isopropyl alcohol:** Used for cleaning equipment and surfaces due to robust decreasing and disinfection properties.
- **Hydrogen peroxide (50% and 100%):** Used for cleaning and disinfection, as well as the removal of microorganisms in aseptic environments.
- **Acetone:** Used for removing residues insoluble in water. This product is ideal for equipment cleansing.
- **Ethanol:** A common disinfectant frequently used for decontaminating surfaces and equipment.
- **Citric acid:** Used for cleaning stainless steel equipment, removing mineral deposits, and cleansing surfaces.
- **Sodium bicarbonate:** Used for cleaning sensitive surfaces and equipment where more abrasive agents may cause damage.